

Stop Storing Inventory. Start Moving Units.

Floor space is expensive. You shouldn't waste it on "commodity" hitches that customers can price-shop online. You need a high-margin, high-conversion display that turns a walkthrough into a profitable upsell—**compelling even those who already own a hitch to upgrade to something better.**



RECON STEALTH

THE INTERACTIVE CLOSE

Traditional hitches are static chunks of steel. The patent pending Recon Stealth™ is precision in motion.

The "Magic" Fold: When a customer sees how easily it collapses, the sale is halfway done.

Tactile Selling: Let them fold it themselves. Once they see they don't have to remove the hitch from their truck bed, the value proposition is instant.

HIGHER GROSS PROFIT

Don't just sell the RV; sell the complete towing solution.

The Molle Rack Upsell: This isn't a one-and-done sale. The integrated Molle rack creates an immediate second-tier sale for recovery gear, tool mounts, and storage.

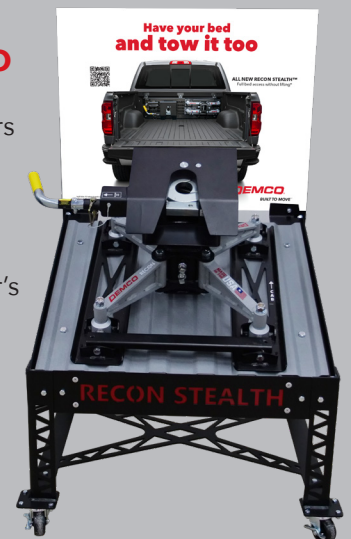
BEAT THE "INTERNET SHOWROOMING"

Customers can't "feel" the quality of a folding mechanism on a smartphone screen. A physical display creates a "Buy It Now" urgency that digital listings can't match.

Exclusive Design: It's a unique product that separates your dealership from the big-box competitors.

ZERO-HASSLE DEMO

The Stealth takes up a tiny footprint but delivers a massive "Wow" factor. It's the easiest way to demonstrate that your dealership understands the modern truck owner's needs (tonneau covers, garage clearance, and bed utility).



Stop leaving money on the table with 'Basic' hitches.

The Recon Stealth isn't just a part—it's a profit-generating platform for your dealership.

Revenue Driver	Standard 5th Wheel Hitch	The Recon Stealth™ System	The Dealer Advantage
Early Upgrades	Not necessary (already have)	Modern convenience	Faster upgrade for trailer trade-in buyers
The "Cool Factor"	None (it's just a hitch)	Mechanical "folding" Demo	Higher showroom conversion rate
Upsell	Zero	Molle Rack Accessory	Immediate \$300+add-on sale
Cross-selling	Maybe a hitch lock	Mounts & Accessories	Ongoing "after-the-sale" parts revenue
Price Shopping	High (available everywhere)	Low (unique and exclusive)	Protects your margin from online undercutters

 www.demco-products.com

 1.800.543.3626

Legal Notice: Product(s) shown protected by one or more U.S. and international patents. For a complete list of applicable patents, please visit www.demco-products.com/about-demco. All trademarks are the property of their respective owners. Registered trademarks are indicated with ®.

DEMCO®

BUILT TO MOVE™

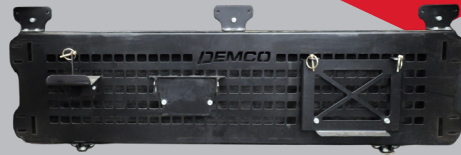
Turn your floor space into a profit center.

A displayed Recon Stealth doesn't just sit there—it starts conversations that lead to higher-margin deals.

BUY 3



GET



+



3 Full Molle Rack Systems
8554004+choice of truck brackets

PART NUMBER
9523148

BUY 12



GET



+



12 Full Molle Rack Systems
8554004+choice of truck brackets

PART NUMBER
9599025

FLEXIBILITY - RECON STEALTH ONLY

Order just the 5th Wheel Hitch

PART NUMBER
8550072



OR WANT THE COMPLETE SYSTEM

Order the foundation items and truck specific hardware

1. The Foundation

- Recon Stealth Hitch (Part #8550072)
- Molle Rack with Hitch Mounts (Part #8554004)

2. The Custom Fit (Choose ONE)

Pick the bracket that matches your truck's make and year:

For This Truck...	Year Range	Use Part #
Ford F-250 / F-350	2017-2026	8554001
Chevy & GMC 2500 / 3500	2020-2026	8554002
Ram 2500 / 3500	2019-2026	8554003

Just need the mounts?

If you already have the rack and hitch and only need the Hitch Mounts, order part #6528.

DEMCO

BUILT TO MOVE™